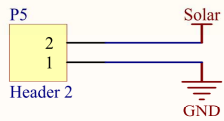
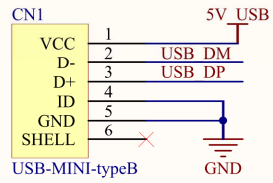
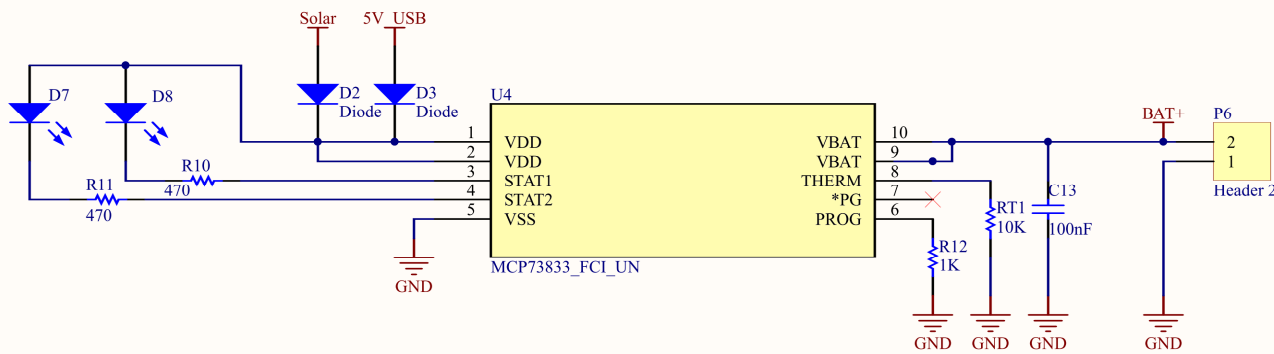


Title: MCU.SchDoc			Cannot open file C:\Users\visionvolt\Pictures\Vision VoltLogo8cm.png
Project: PoketQube.PrjPCB			
Size: A4	Number: *	Revision:	
Date: 10/10/2018	Sheet of		

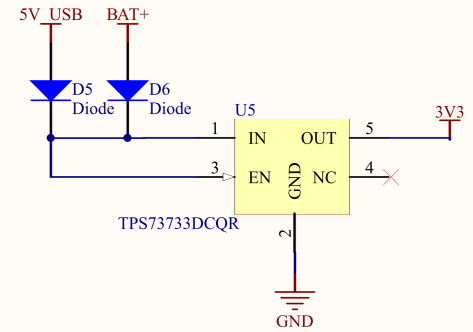
USB Input



Battery Charger



Main 3V3



Title: **Power.SchDoc**

Project: **PoketQube.PrjPCB**

Size: A4

Number: *

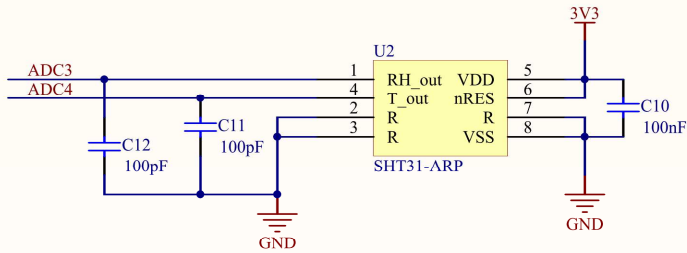
Revision:

Date: 10/10/2018

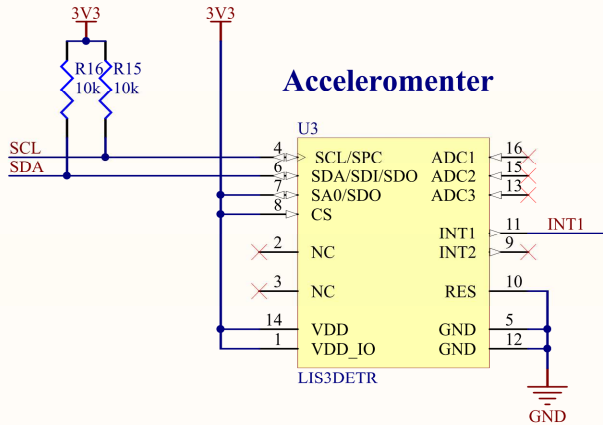
Sheet of

Cannot open file
C:\Users\visionvolt\Pictures\Vision
VoltLogo8cm.png

Temperature/Humidity-Sensor



Accelerometer



Hall-Sensor

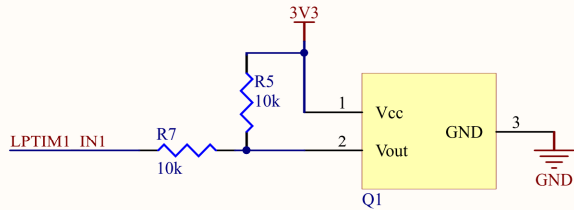
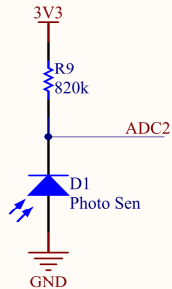
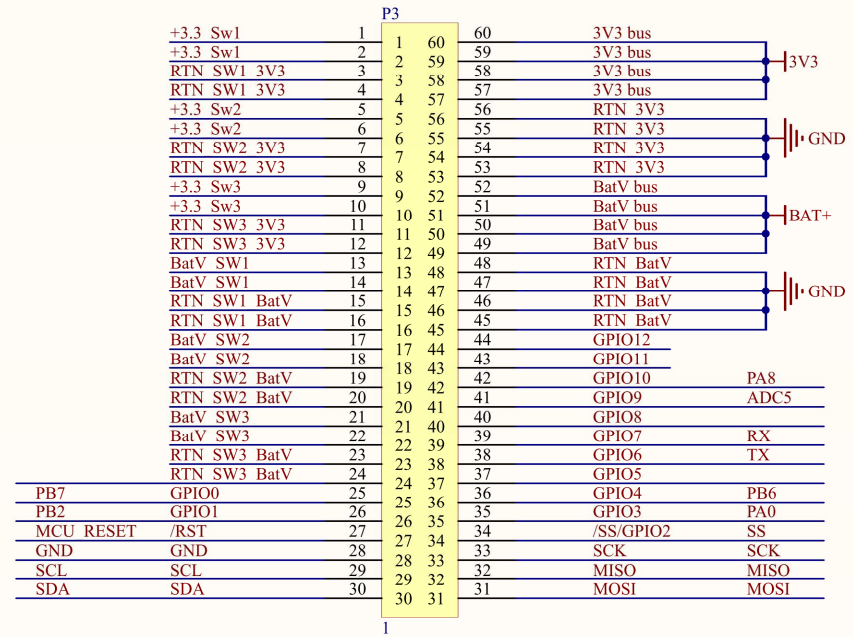


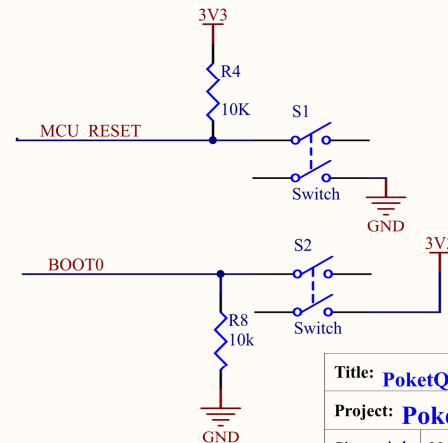
Photo-Diode Sensor



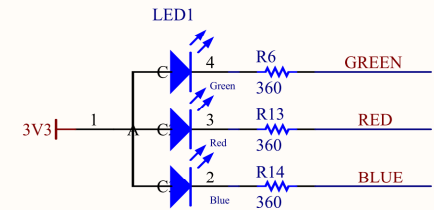
Hirose



Inputs



LED RGB



Title: PoketQube.SchDoc

Project: PoketQube.PrjPCB

Size: A4 Number:*

Revision:

Date: 10/10/2018

Sheet of

Cannot open file
C:\Users\visionvolt\Pictures\Vision
VoltLogo8cm.png

A

B

C

D

E

F

G

H

1

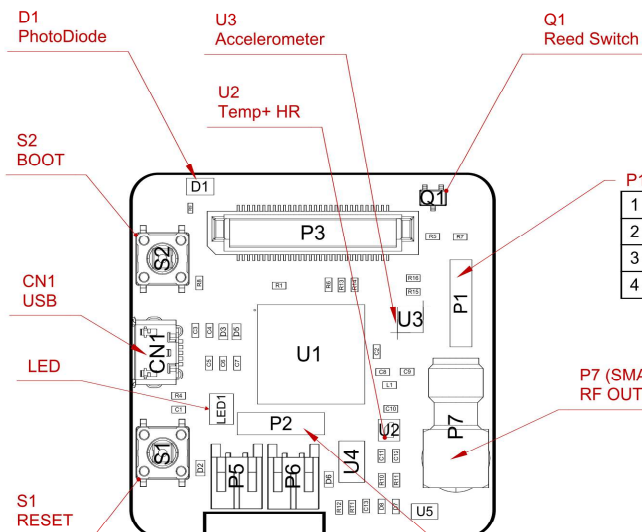
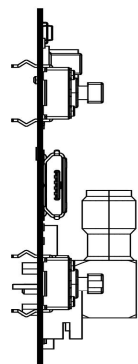
2

3

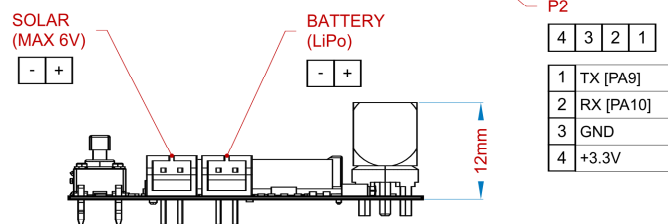
4

5

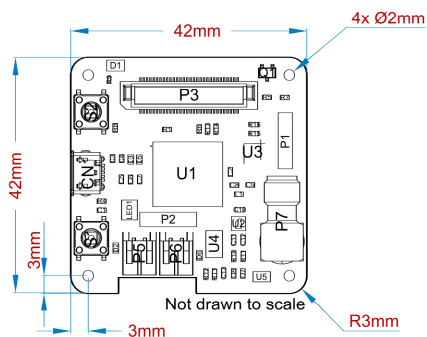
6



P1	
1	SDA [PB9]
2	SCL [PB8]
3	GND
4	+3.3V



P2			
4	3	2	1
1	TX [PA9]		
2	RX [PA10]		
3	GND		
4	+3.3V		



UNLESS OTHERWISE SPECIFIED: DIMENSIONS ARE IN MILLIMETERS SURFACE FINISH: TOLERANCES:				FINISH:		DEBURR AND BREAK SHARP EDGES		DO NOT SCALE DRAWING		REVISION	
DRAW	NAME	SIGNATURE	DATA					TITLE:			
CHK'D								PocketQube			
APP'VD											
MFC	VisionVolt										
QA	2.0			MATERIAL:				DWG NO.			
				WEIGHT:				SCALE 1:1			
										A3	
										SHEET 1 OF 1	

A

B

C

D

E

F

G

H

1

2

3

4

5

6