

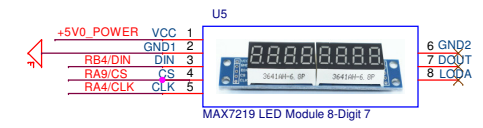
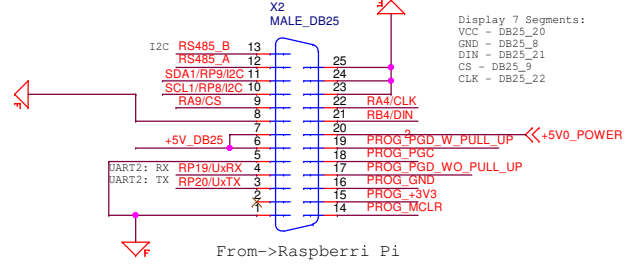
Note: For pickit3 pragramer, do not solder 6th programmer pin header.

MALE_DB25 CONNECTED TO RASPBERRY PI:
 (via DB25 to 26-pin IDC flat cable, so that IDC pin 1 is on PI pin 14)
 PROG_MCLR is on PI pin 13 (GPIO 27)
 PROG_+3V3 is on PI pin 11 (GPIO 17)
 PROG_GND is on PI pin 9 (GND)
 PROG_PGD_WO_PULL_UP is on PI pin 7 (GPIO 4)
 PROG_PGC is on PI pin 5 (GPIO 3)
 PROG_PGD_W_PULL_UP is on PI pin 3 (GPIO 2)

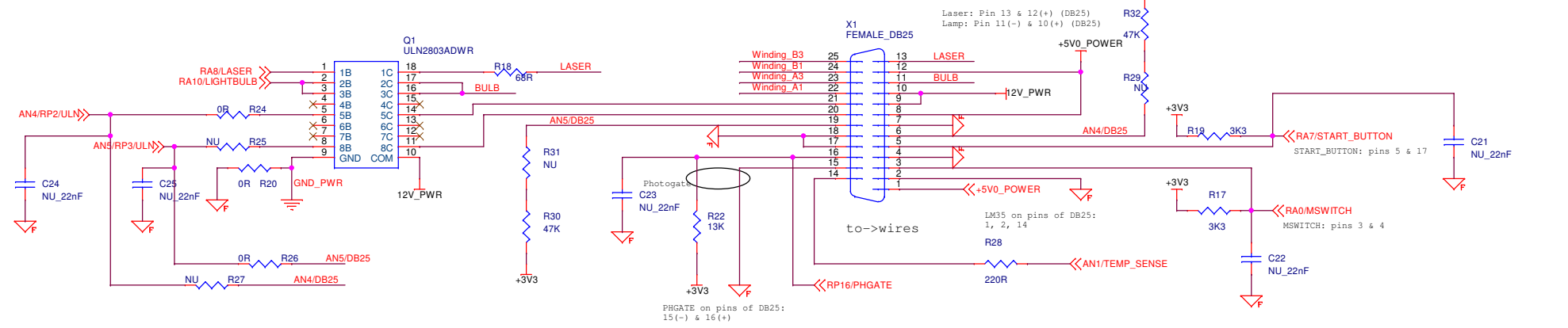
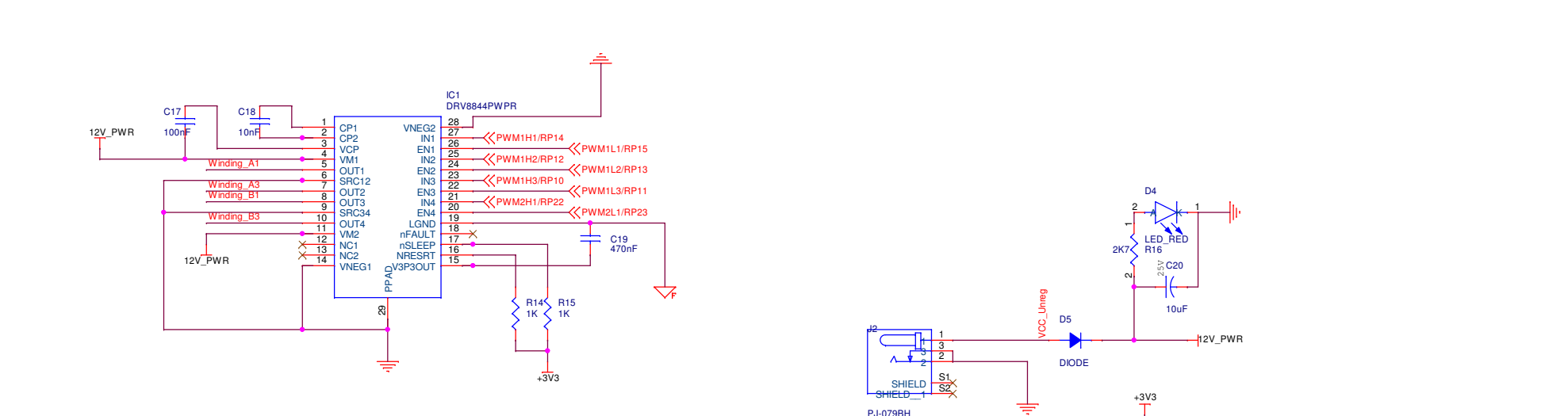
uUSB CONNECTED TO PC:
 (via uSB to USB cable)
 UxTX must be tied to RP25
 UxRX must be tied to RP24

DB25 pin 6&7 is on PI pin 4&2 (5V), powering the board

UxTX must be tied to RP20, as it's connected to PI pin 10 (UART RX)
 UxRX must be tied to RP19, as it's connected to PI pin 8 (UART TX)



Title			
Control board using dsPIC33FJ128MC/GP804 made by RHenriques & RDias			
Size	Document Number		Rev
A3	<Doc>		v6
Date:	Wednesday, February 05, 2020	Sheet	1 of 2



Title		
<Title>		
Size	Document Number	Rev
A3	<Doc>	<RevCod
Date:	Thursday, February 13, 2020	Sheet 2 of 2